



# PROVEN PERFORMER

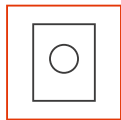
## Vended Hardmount Washer-Extractors SCA020WE, SCA030WE, SCA040WE, SCA060WE, SCA080WE.

### Features

- Rigid mounted, normal spin, 200G factor
- Stainless steel top and front panel
- Stainless steel drum and tub
- High capacity water inlets
- Large drain valve
- Large door opening for easy loading & unloading
- Industry-leading flexible water level settings
- Patented Fill and Drain leak detection saves water
- Lighter, computer-optimized frame
- Designed to reduce sound and vibration levels
- Single slot electronic multi denomination coin drop for versatility and accuracy
- Digital display and countdown
- Quantum™ Gold Control
  - easy to operate, easy to program
  - flexibility of 30 programmable cycles
  - moisture sensing technology prevents overdrying, saving time and energy

### Options

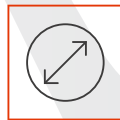
- Stainless steel side panels
  - Chrome door • Chrome Handle
  - Steam heating version • Electrical heating version
- 200mm steel plinth base
- Pump Drain Kit on SCA20-30-40##
- Credit Card Activation (ADVAM) - (VendAccess)
- Speed Queen Insights Network Gateway and Subscription - Cashless APP Payment and Equipment Management desktop or online.



ROBUST DESIGN



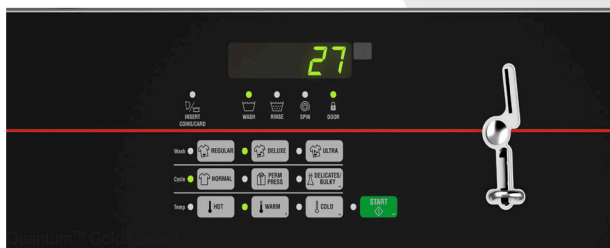
LARGE DRAIN VALVE



LARGE DOOR OPENING



LOW WATER CONSUMPTION



### Controls

#### Quantum™ Gold

In addition to its network capabilities and remote off-site management features, Quantum™ Gold offers additional owner and customer benefits such as PC programming and machine audit capabilities, as well as time-of-day pricing, a "lucky cycle" for loyal customers and the ability to interface with the store owner's payment systems. Cycle modifier keys create additional profit opportunities for store owners.

#### SQ Insights™ for Quantum Gold

Business made effortless with Speed Queen Network Management. Speed Queen® Insights opens up new worlds of efficiency and profitability for laundromat owners. Whether you have one store or fifty, Speed Queen Insights connects you to every aspect of your business and gives you the tools to attract and retain more customers.



Supporting Smart Card, Tap & Go, Mag Stripe



	SCA020	SCA030	SCA040	SCA060	SCA080
<b>Innerdrum</b>					
Capacity 9:1 kg	9kg	14kg	18kg	27kg	36kg
Volume litres	79.3Lt	118.9Lt	178.4Lt	254.9Lt	365.3Lt
Diameter mm	533	610	667	762	914
<b>Motor</b>					
Frequency controlled	Yes	Yes	Yes	Yes	Yes
<b>Drum speed</b>					
Wash rpm	51	48	46	43	39
Spin speed rpm	301	282	269	252	230
Highest spin speed rpm	819	766	733	686	626
(Max) G-factor	200	200	200	200	200
<b>Programmer</b>					
Type of control	Gold / 9 cycle	Gold / 9 cycle	Gold / 9 cycle	Gold / 9 cycle	Gold / 9 cycle
<b>Cabinet</b>					
Cabinet	Stainless steel front panel	Stainless steel front panel	Stainless steel front panel	Stainless steel front panel	Stainless steel front panel
<b>Heating</b>					
Electric heating kW **	7.8	7.8	15.5	15.5	20.5
Steam kPa or Steam high pressure kPa	200-540kPa	200-540kPa	200-540kPa	200-540kPa	200-540kPa
Hot water C°	Max 90°C	Max 90°C	Max 90°C	Max 90°C	Max 90°C
Sound pressure level dB(A)	58 / 61	58 / 66	58 / 66	58 / 66	58 / 76
Rec. Water pressure kPa	140-570kPa	140-570kPa	140-570kPa	140-570kPa	140-570kPa
<b>Connection</b>					
Water inlet BSP	19mm	19mm	19mm	19mm	19mm
Steam inlet NPT **	12mm	12mm	12mm	12mm	12mm
Drain mm	76	76	76	76	76
Flow amount with drain valve l/min	114	114	151	189	208
Steam pressure kPa	200-540kPa	200-540kPa	200-540kPa	200-540kPa	200-540kPa
<b>Power</b>					
Electrical requirements (without heating element) V Hz	1×240V 50 Hz	1×240V 50 Hz	1×240V 50 Hz	1×240V 50 Hz	1×240V 50 Hz
Full load amps (without heating element) A	4 amps	6 amps	7 amps	10 amps	15 amps
Breaker (without heating element) A	15 amps	15 amps	15 amps	15 amps	20 amps
Electrical requirements (with heating element) V Hz **	3×415V 50 Hz 3+N	3×415V 50 Hz 3+N	3×415V 50 Hz 3+N	3×415V 50 Hz 3+N	3×415V 50 Hz 3+N
Decibel Rating	58-61dBA	58-66dBA	58-66dBA	58-66dBA	58-76dBA
Heating element kW **	7.8	7.8	15.5	15.5	20.5
<b>Transport data</b>					
Gross weight kg	166	225	268	338	572
Net weight kg	152	209	249	315	549
Dimensions H×W×D mm	1092×660×784	1142×737×896	1199×778×1073	1267×865×1135	1426×1054×1234
Packaging dimension H×W×D mm	1256×711×859	1303×800×973	1361×826×1105	1430×953×1191	1488×1118×1384
Shipping volume m <sup>3</sup>	0.767	1.014	1.242	1.623	2.302



**Mobile payment transforms customer relationships.**

Your customers expect more from a modern retail experience.

More versatility. - More convenience.

Speed Queen Insights lets you meet—and exceed—their expectations with the Speed Queen app and Speed Queen Rewards.

And because it's fully integrated with your Speed Queen washers and dryers.

**Speed Queen app**

Easy-to-use app creates best-in-class retail experience.

Speed Queen Rewards - Increase store loyalty and encourage repeat business.

Monitor wash and dry - Customers can easily check cycle status and time remaining from their smartphone.

Notification of cycle completion Customers can run errands and receive a notice when their cycle is finished.

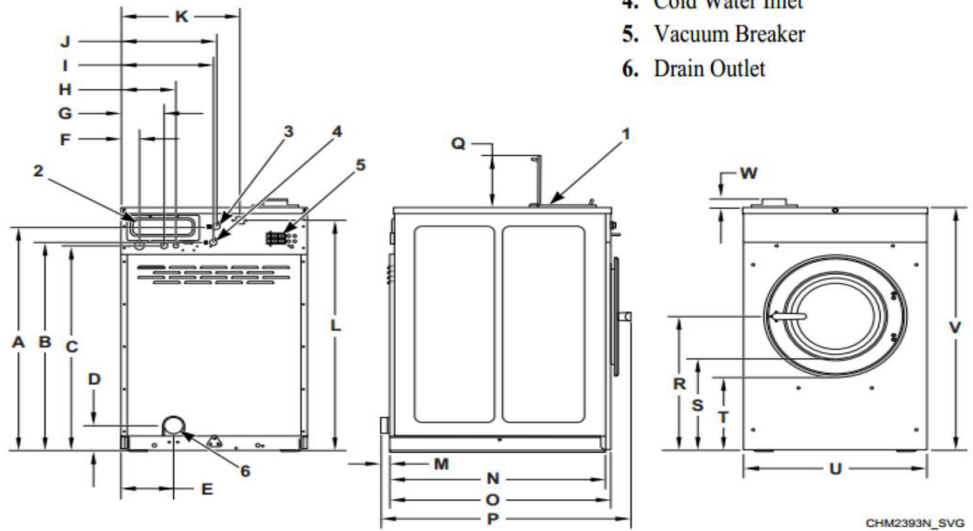
Multiple payment options - Less coin collecting saves time and hassle, letting you focus on running your business.



## Dimensions

	Height	Width	Depth
SCA020WE	1092	660	784
SCA030WE	1143	737	896
SCA040WE	1199	778	1073
SCA060WE	1267	865	1135
SCA080WE	1427	1054	1234

All measurements are in mm.



20-60 Pound Models

1. Supply Dispenser
2. Input Power Block Compartment
3. Hot Water Inlet
4. Cold Water Inlet
5. Vacuum Breaker
6. Drain Outlet

	SCA020WE	SCA030WE	SCA040WE	SCA060WE	SCA080WE**
A	991mm	1040mm	1097mm	1165mm	1316mm
B	914mm	963mm	1021mm	1087mm	1278mm
C	902mm	953mm	1008mm	1077mm	1236mm
D	119mm	105mm	115mm	124mm	163mm
E	198mm	236mm	224mm	251mm	65mm
F	76mm	76mm	76mm	76mm	76mm
G	175mm	175mm	175mm	175mm	176mm
H	224mm	224mm	224mm	224mm	224mm
I	386mm	386mm	386mm	505mm	423mm
J	399mm	399mm	399mm	518mm	462mm
K	N/A	N/A	495mm	582mm	550mm
L	N/A	N/A	1133mm	1201mm	1361mm
M	9mm	9mm	51mm	51mm	35mm
N	681mm	800mm	902mm	981mm	997mm
O	693mm	808mm	940mm	1003mm	1122mm
P	784mm	896mm	1073mm	1135mm	1234mm
Q	254mm	254mm	254mm	254mm	229mm
R	584mm	610mm	660mm	671mm	785mm
S	432mm	432mm	450mm	460mm	528mm
T	365mm	356mm	370mm	379mm	455mm
U	660mm	737mm	778mm	865mm	1054mm
V	1092mm	1143mm	1199mm	1267mm	1426mm
W	38mm	38mm	38mm	38mm	38mm

\*\* Official diagram may vary from these references - refer to current installation guides prior to commencing any construction works.





SPEED QUEEN® INSIGHTS

Speed Queen® Insights  
Control all of your laundromats from a single website.  
Attract and retain more customers with mobile payment.  
Powered by Speed Queen®



**Speed Queen Equipment Sales.**  
**26 Theobald Street, Thornbury, Vic 3071**  
**Ph: (03) 9495 1300**  
**Fax: (03) 9495 1600**  
**W: [www.speedqueensales.com.au](http://www.speedqueensales.com.au)**  
**E: [sales@speedqueensales.com.au](mailto:sales@speedqueensales.com.au)**  
**Servicing Victoria, Tasmania.**

The content of this brochure (including, without limitation, any analysis forming part of it) is general information, for personal use only and should not be relied upon for investment purposes. This brochure provides information based on subjective assumptions and does not provide actual or expected returns, which may in practice be lower than those stated in the brochure. You should obtain independent financial advice prior to making any decision to invest in, or with, Alliance Laundry Systems LLC. To the extent permitted by law, we do not accept any liability (whether in contract, tort, negligence or otherwise and howsoever arising), nor owe any duty of care to you, for any consequences of your acting (or refraining from acting) in reliance on the contents of this brochure. If you enter into a contract with us, we will require that you irrevocably waive your rights to bring a claim against us for acting in reliance on the content of this brochure.E&OE