



PROVEN PERFORMER

On-Premises Laundry

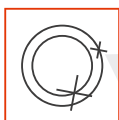
SWNMN2 (top loading washer),
SDEMNR (electric dryer), SDGMNR (gas dryer)

Top loading washer features

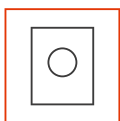
- Commercial all metal transmission offers highest quality and durability
- 2 Speed Motor
- Designed for durability and ease of use with simple push to start switch and reinforced control knobs
- Extra large capacity stainless steel tub keeps clothes looking their best
- Advanced suspension system eliminates the possibility of an unbalanced load



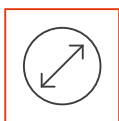
EASY OPERATION



STAINLESS STEEL WASHER DRUM



ROBUST DESIGN



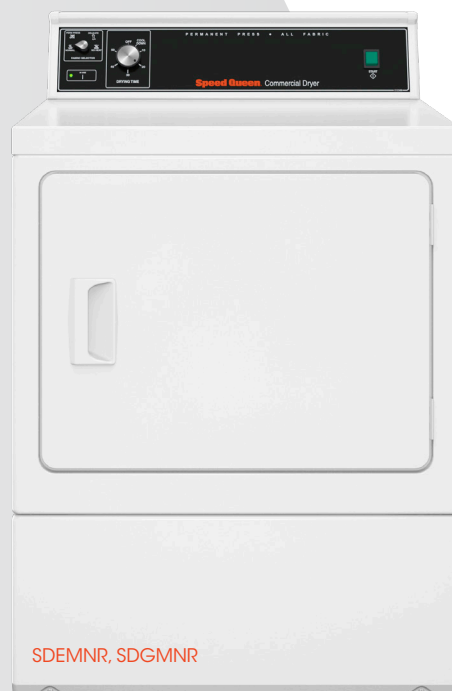
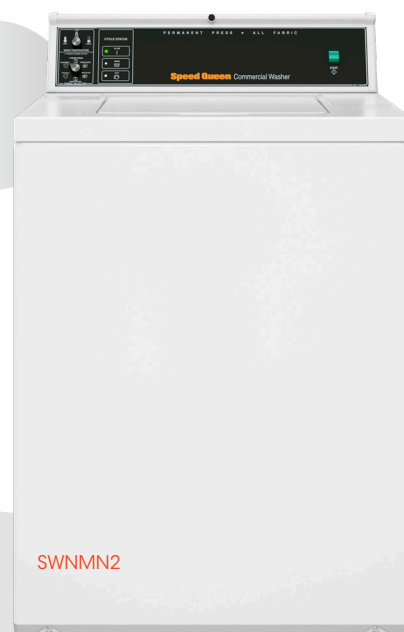
LARGE DOOR OPENING



Controls

Top loading washer Push Button start

This control features a straightforward design that offers users simple water temperature and fabric selections.



Dryer features

- Durable galvanized steel cylinder with an extra-large 198 litres of volume
- Efficient dryer heating with 27 MJ (gas models) and up to 4,000 Watts (electric models)
- Large, easy-to-clean lint compartment
- Reversible door
- 1913.8 sq. cm door opening is the largest in the industry, providing easy loading and unloading

Dryer Push Button control

This control features a straightforward design that offers users simple drying selections and uses cue lights to monitor progress through the drying cycle.

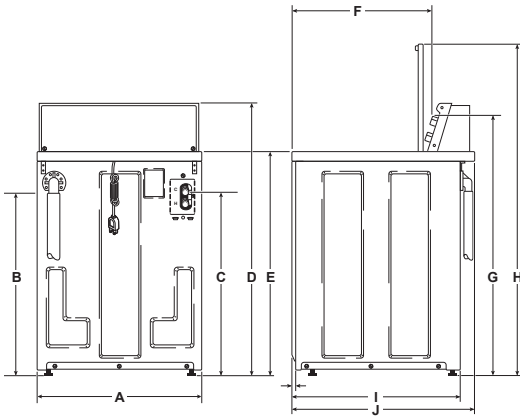
| | SWNMN2 | SDEMNR (Electric) SDGMNR (Gas) |
|---|--------------------|---------------------------------------|
| Type | Top Loading Washer | Single Dryer |
| Control | Emech | Emech |
| Control location | Rear | Rear |
| Drum | | |
| Capacity kg | 8 kg | 9 kg |
| Cylinder volume litres | 92.3 Lt | 198 Lt |
| Drum speed | | |
| Spin speed G-Force | 150 | n/a |
| Spin speed rpm | 710 | n/a |
| Motor | | |
| Motor size kW | 0.37 | 0.25 |
| Cabinet | | |
| Cylinder finish | Stainless steel | Galvanized |
| Colours | White | White |
| Door type (solid/window) | n/a | Solid |
| Heating | | |
| Heat sources | n/a | Electric or Natural Gas, LPG optional |
| Heating element (Electric W) | n/a | 4000 |
| Connection | | |
| Gas inlet connection mm | n/a | 9.5 |
| Gas consumption MJ/Hr | n/a | 27 MJ |
| Exhaust outlet dia. mm | n/a | 102 |
| Exhaust airflow litres/sec | n/a | 85 |
| Water temperatures | 3 | n/a |
| Operation | | |
| Cycles | 6 | 4 |
| Water consumption per cycle litres | 92.2 | n/a |
| Water pressure kPa | 140/830 kPa | n/a |
| Cycle indicator lights | Yes | Yes |
| Power | | |
| Electrical requirements (voltage/Hz/Ph) | 240/50/1, 6 amp | 240/50/1, Electric 20 amp, Gas 4 amp |
| Transport data | | |
| Net weight kg | 82 | Electric/Gas 59/61 |
| Shipping weight kg | 88 | Electric/Gas 64/66 |
| Dimensions H×W×D mm | 1092×650×711 | 1092×683×711 |
| Packing dimensions H×W×D mm | 1124×699×762 | 1156×737×832 |
| Agency approvals | | |
| Available agency approvals | Electrical SAA | Electrical SAA, Gas AGA #4945 |



Dimensions

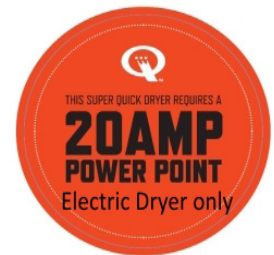
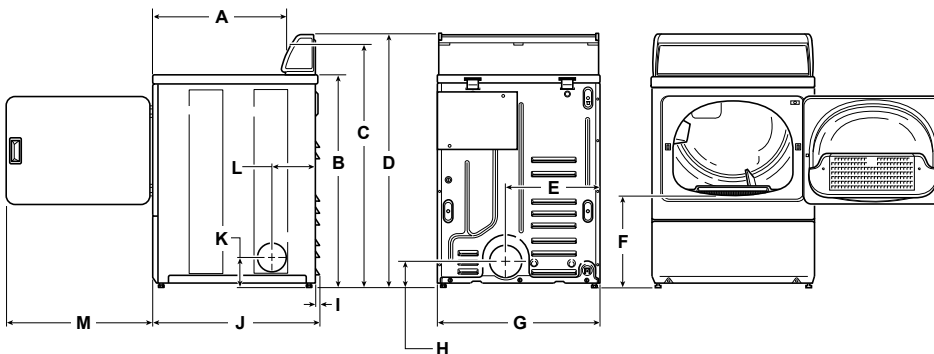
Top Loading Washer

| | A | B | C | D | E | F | G | H | I | J |
|---------------|-----|-----|-----|------|-----|-----|------|------|-----|-----|
| SWNMN2 | 651 | 775 | 730 | 1048 | 914 | 548 | 1026 | 1295 | 660 | 711 |



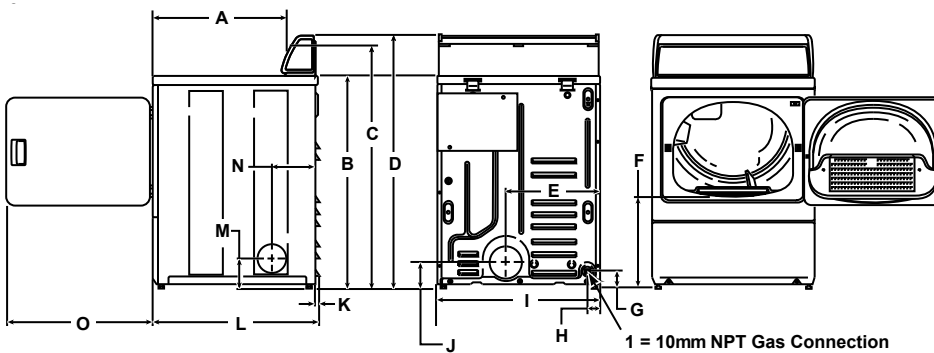
Electric Dryer

| | A | B | C | D | E | F | G | H | I | J | K | L | M |
|---------------|-----|------|-------|-------|-----|------|-----|-----|----|-----|------|-----|-----|
| SDEMNR | 589 | 914* | 1036* | 1092* | 391 | 392* | 683 | 102 | 10 | 711 | 114* | 203 | 597 |



Gas Dryer

| | A | B | C | D | E | F | G | H | I | J | K | L | M | N | O |
|---------------|-----|------|-------|-------|-----|------|-----|----|-----|------|----|-----|------|-----|-----|
| SDGMNR | 589 | 914* | 1036* | 1092* | 391 | 392* | 70* | 60 | 683 | 102* | 10 | 711 | 114* | 203 | 597 |



All measurements are in mm. *With levelling legs turned into base.

NOTE: Exhaust openings are 102 mm metal ducting.





Speed Queen Equipment Sales.
26 Theobald Street, Thornbury, Vic 3071
Ph: (03) 9495 1300
Fax: (03) 9495 1600
W: www.speedqueensales.com.au
E: sales@speedqueensales.com.au
Servicing Victoria, Tasmania.

The content of this brochure (including, without limitation, any analysis forming part of it) is general information, for personal use only and should not be relied upon for investment purposes. This brochure provides information based on subjective assumptions and does not provide actual or expected returns, which may in practice be lower than those stated in the brochure. You should obtain independent financial advice prior to making any decision to invest in, or with, the distributors listed above. To the extent permitted by law, we do not accept any liability (whether in contract, tort, negligence or otherwise and howsoever arising), nor owe any duty of care to you, for any consequences of your acting (or refraining from acting) in reliance on the contents of this brochure. If you enter into a contract with us, we will require that you irrevocably waive your rights to bring a claim against us for acting in reliance on the content of this brochure. E&OE